

# Instruction Manual

## PN20a2

100 O.T.F. Lumen MAX  
Up to 6 hours runtime  
Two brightness levels  
A400 LED circuit



 **EagleTac**

The High Performance Tactical Flashlight  
<http://www.eagletac.com>

### Quick Guide

Unscrew the flashlight head and insert two fresh batteries with positive terminals facing the front. Replace the head to use.

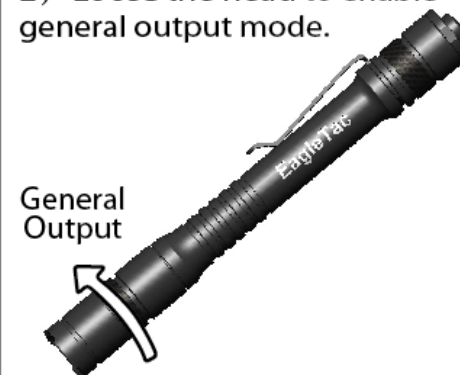


### Basic Operation

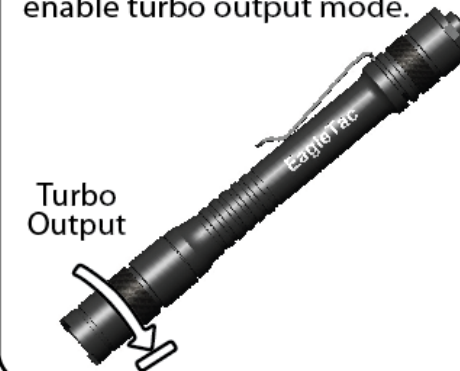
1) Turn on the light by pressing the tailcap button until it clicks. Half press the button for momentary on.



2) Loosen the head to enable general output mode.



3) Tighten the head snugly to enable turbo output mode.



EagleTac designs and manufactures the PN20 model to uphold the company's long-held tradition of making the finest and the brightest flashlights. The new PN20a2 is a portable pen-sized flashlight that introduces a new way of carrying your high performance output flashlight.

#### **Battery type**

Two 1.5V AAA batteries  
(Operational voltage: 0.8V-3.2V)

#### **Light activation and usage**

Turn on the light by pressing the tailcap button until it clicks. Half press the button for momentary on. Loosen the flashlight head for general output mode and tighten the flashlight head to enable the turbo output mode.

\* At the LED, EagleTac measured 130 lumen at turbo mode. For better runtime and output performance, use high capacity NiMH AAA batteries

\* DO NOT run two 3.7V li-ion batteries in the PN20a2 as it will permanently damage the LED. Remove batteries from the flashlight when it is not going to be used for a long period of time.

**WARNING** - Lithium and Li-ion batteries can explode or cause burns if disassembled, shorted, or exposed to high temperature. Do not mix with used or other battery types or install backwards.

#### **Switch boot and tail-cap**

To replace the switch rubber boot, unscrew the locking cap located at tail of the flashlight to gain access to the switch module.

Troubleshooting - Flashlight does not turn on or does not stay on.

- 1) Use new batteries or fully charged rechargeable batteries. Old rechargeable batteries may not hold a charge.
- 2) Clean the contact area to ensure good conductivity.
- 3) Ensure the batteries are inserted in the correct direction.
- 4) Replace the switch module inside the flashlight.

#### **Warranty claims**

For repair or replacement, contact your EagleTac dealer. For product inquiries, contact us at [support@eagletac.com](mailto:support@eagletac.com).

EagleTac warrants our flashlights to be free from defective workmanship and materials for the lifetime of the original owner. We will repair, replace, or refund your original purchase price of this product, if it is determined by us to be defective. Electronics, chargers and rechargeable batteries are covered for a period of one year with proof of purchase. Normal wear and tear including batteries draining is not covered, nor is damage resulting from abuse, neglect, battery leakage, use of other than EagleTac batteries or accessories, or altering this product from its original state. For any product warranty shipment, EagleTac will pay any reasonable shipping cost to return the unit to you.