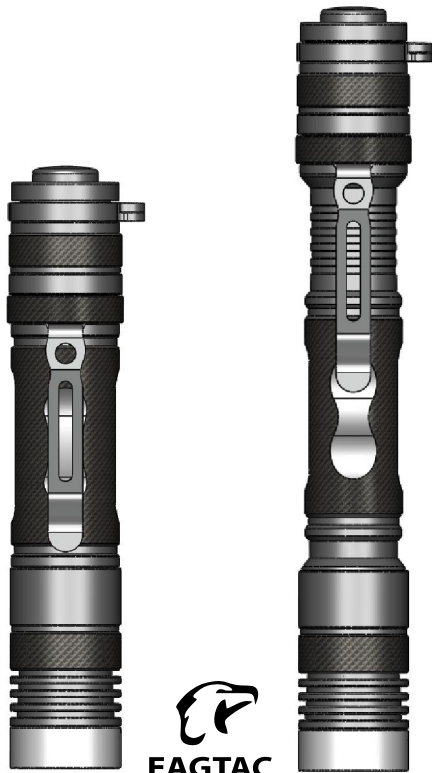


User Manual D25LC2 / D25A2 Tactical



High Performance Tactical Flashlight
<http://www.eagtac.com>

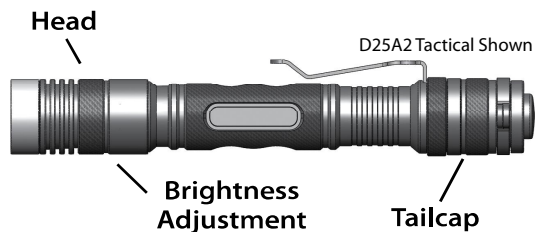
EAGTAC D25LC2 Tactical and D25A2 Tactical packs big lumen output and long beam distance in a compact, tough and grippy body. It offers versatile user interface, highly efficient current regulated circuit, and rich accessories like no other. Be crazy lumen and long distance beam with you in the dark.

Quick Specifications D25LC2

Runtime (2xCR123A)	0.8 to 130+ hrs
Runtime (1x18650)	<small>Tested by ET 3400mAh</small> 1.5 to 200+ hrs
Batteries	1x18650 or 2xCR123A
Voltage	2.7V-6.0V

D25A2

Runtime (2xAA)	<small>Tested by Eneloop xx</small> 1.5 to 100+ hrs
Batteries	2xAA (NiMH or Alkaline)
Voltage	1.8V-3.0V



WARNING - Lithium and Li-ion batteries can explode or cause burns if disassembled, shorted, or exposed to high temperature. Do not mix with used or other battery types or install backwards.

Quick Start Guide

1) Unscrew the tailcap and insert new batteries (w/ protrude top) to use. Ensure positive terminal is facing the LED and the ring that holds the pocket clip is tighten. Replace tailcap and tighten snugly.



Basic ON and OFF

Switch on/off the flashlight by pressing the tailcap switch boot until it clicks. To momentarily switch on the light, apply light pressure on the switch boot.

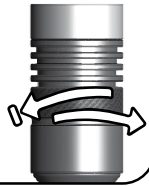


Adjusting output level

Twist the head to select between three output levels. To access the 4th lowest output, turn the head to 3rd level, then 2nd level, and then back to 3rd level within one second.

Hidden AUX output

Rotate from 1st level, to 3rd level, back 1st level to use.



Tailcap Strobe (A2 only)

Double press of the switch button (within one second) will activate the tailcap strobe. To toggle this function, switch to 1st level and turn the flashlight on and off 20 times (one second or less between each click).

Energy saving feature

This preveres runtime by reducing output current by 20% (LC2) / 25% (A2) after 200 seconds at turbo mode.

Battery Safety Precaution

All EAGTAC flashlights are designed to use button-top battery with protruding positive terminal. For rechargeable li-ion battery, use only EAGTAC li-ion battery, or other protected li-ion battery with compatible length and diameter.

Do not mix new and used lithium or li-ion batteries. Do not mix batteries with different brand, capacity, voltage, or install batteries backwards. When the output starts to dim (this implies battery is almost drained), replace the batteries. Do not drain the batteries completely when you're using two (or more) batteries in series.

About AA batteries

When using primary (non-rechargeable) batteries in D25A2, ensure they are brand new with same production date. When you are using rechargeable batteries, ensure all batteries belong the same model and condition, and are charged to similar voltage. Unmatched batteries can cause reversed polarity and may lead to leakage (alkaline) and gas release (rechargeable). This may cause damage to the flashlight. For storage, always remove batteries from the flashlight.

Maintenance

Periodically clean the thread and o-rings with a lint free cloth and apply a thin coating of EAGTAC synthetic PTFE lubricant to the o-rings. Clean the battery contact, gold plated signal pins, PCB board contact area, and machined thread with a lint free cloth. Use a small drop of Deoxit red cleaner solution (D100L series) to slightly lube them for more reliable operation and smoother mode switching experience.

Troubleshooting - Flashlight does not turn on or fails to switch between outputs normally:

- 1) Replace new batteries
- 2) Ensure retainer ring inside tailcap is tight
- 3) Clean all conductive contacts
- 4) Check battery polarity

"No Hassle" EAGTAC Warranty

For repair, replacement, or other inquiries contact your EAGTAC dealer. You can also reach our customer support via email at support@eagletac.com.

We warrant our flashlights to be free from defects in workmanship and materials. We will repair, replace at our option, without charging any product or part which is found to be defective under normal use within 120 months from the date of purchase with the proof of purchase.

Electronics, chargers and rechargeable batteries are covered for a period of 12 months with purchase receipt. Such repair or replacement shall be the purchaser's sole and exclusive remedy under this warranty. Normal wear and tear including batteries draining is not covered, nor is damage resulting from modification, misuse, abuse, neglect, faulty battery, battery leakage, improper maintenance or repaired by anyone other than EAGTAC or authorized dealer.